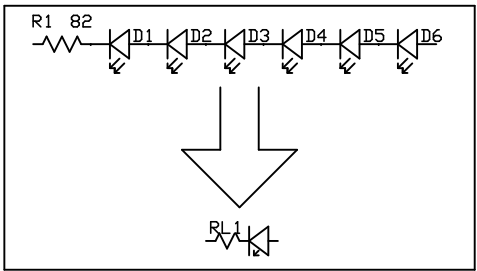
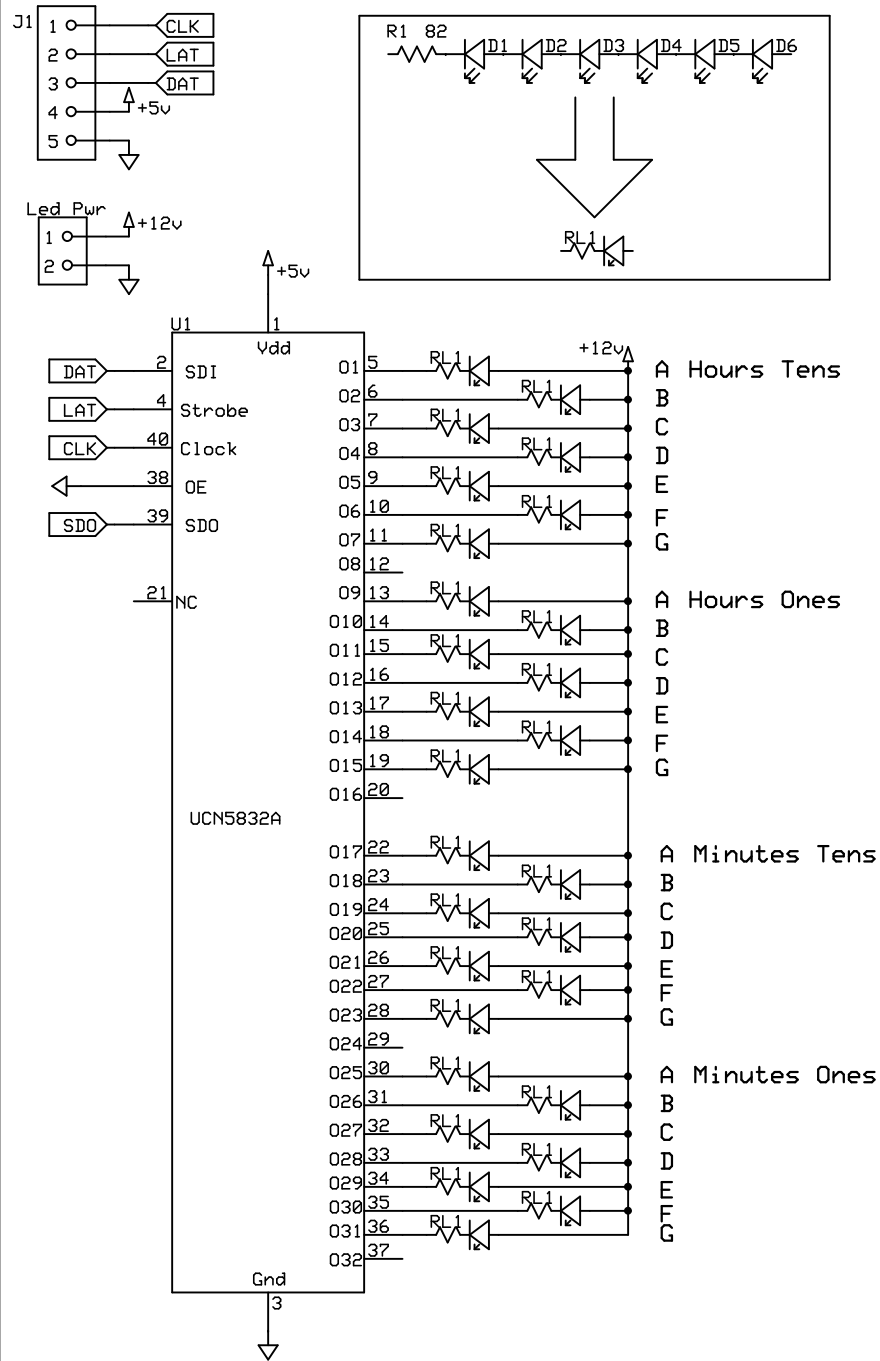


### From Main Board



See Diagram for LED arrangements

