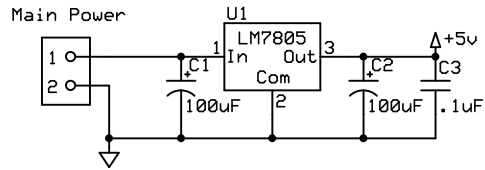
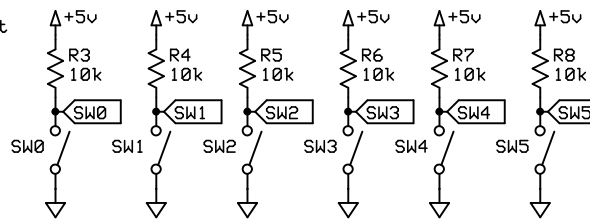


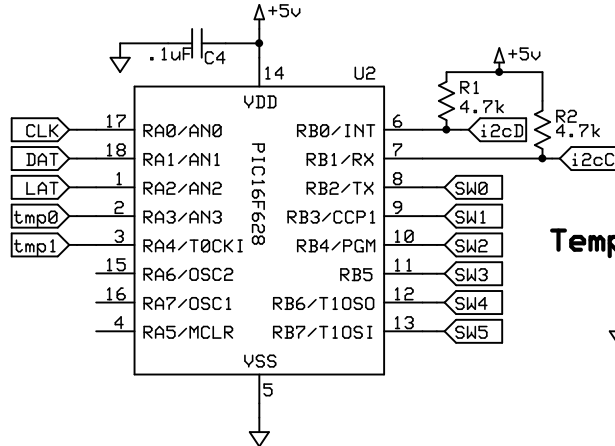
Power Supply



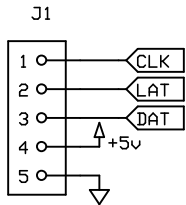
Config Buttons



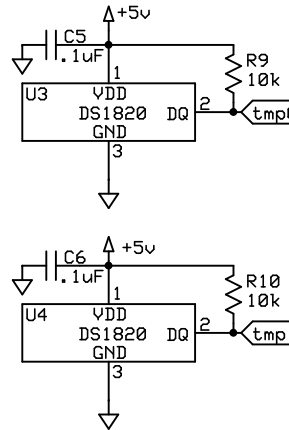
Main PIC



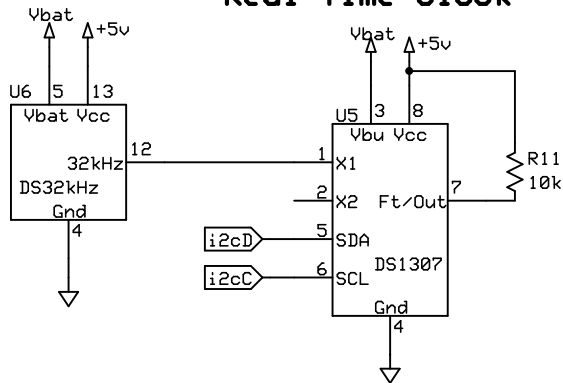
To LED Drivers



Temperature Sensors



Temperature Compensated Osc. Real Time Clock



Robot Dungeon		
Clock Controller Board		
Steven Easley	Rev 1.0	Page 1
	11/3/2005	